

Ecuador



Panamá



Suiza



USA



Inglaterra



1700 E C U A T E P I

3 2 8 2 8 3 7 4

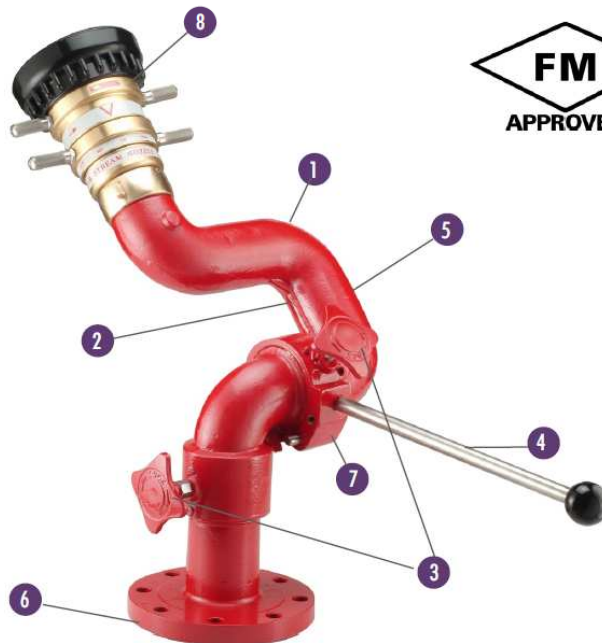
Sitio web: www.ecuatepi.com

E – mail: info@ecuatepi.com

Industrial Monitors

Unique Features of Protek Industrial Monitors

- ① Flow turning vanes in each elbow to reduce friction
- ② Powder coating gives a tough corrosion resistant finish
- ③ Positive friction locks with bronze knob on both horizontal and vertical
- ④ Stainless steel lever
- ⑤ Major components made from bronze alloy (UNS C83600, ASTM B62) for a long in serving life
- ⑥ Able to be supplied with flange options:
ANSI, ASA, DIN or ISO. Special alloy flanges are available
- ⑦ A double row of stainless steel ball bearing in monitor joints ensure easy movement even when monitor is under pressure
- ⑧ A comprehensive range of water and self educting foam master stream nozzle available to fit for any application



TÉCNICAS ECUATORIANAS DE PROTECCIÓN CONTRA INCENDIOS

ECUATEPI S.A.

Pág. 1

Ecuador



Panamá



Suiza



USA



Inglaterra



1700 E C U A T E P I

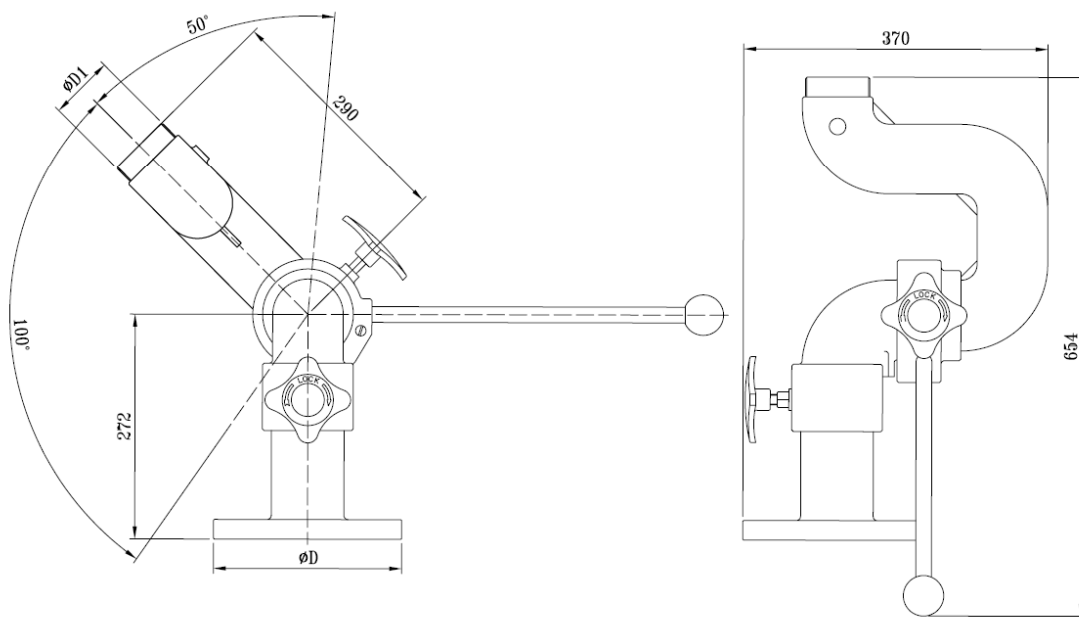
3 2 8 2 8 3 7 4

Sitio web: www.ecuatepi.com

E – mail: info@ecuatepi.com

Style #649 Monitor

- Corrosion resistant bronze construction Ideal for marine, offshore, industrial or other corrosive environment
- Full 3" waterway
- Cast-in turning vanes for efficient flow
- Flow Up to 1,250 GPM (4,800 LPM)
- 360 degrees horizontal and 150 degrees vertical travel 90 degree above to 60 degree below horizontal
- Positive friction locks on both horizontal and vertical travel to hold the desired position
- Stainless steel lever
- Operating pressure of 200 PSI (14 bar)



STYLE	HEIGHT	WIDTH	INLET	OUTLET	WEIGHT LBS	FLOW
						GPM
649	17"	14"	3" or 4" FL	2.5"	46	1,250



TÉCNICAS ECUATORIANAS DE PROTECCIÓN CONTRA INCENDIOS

ECUATEPI S.A.